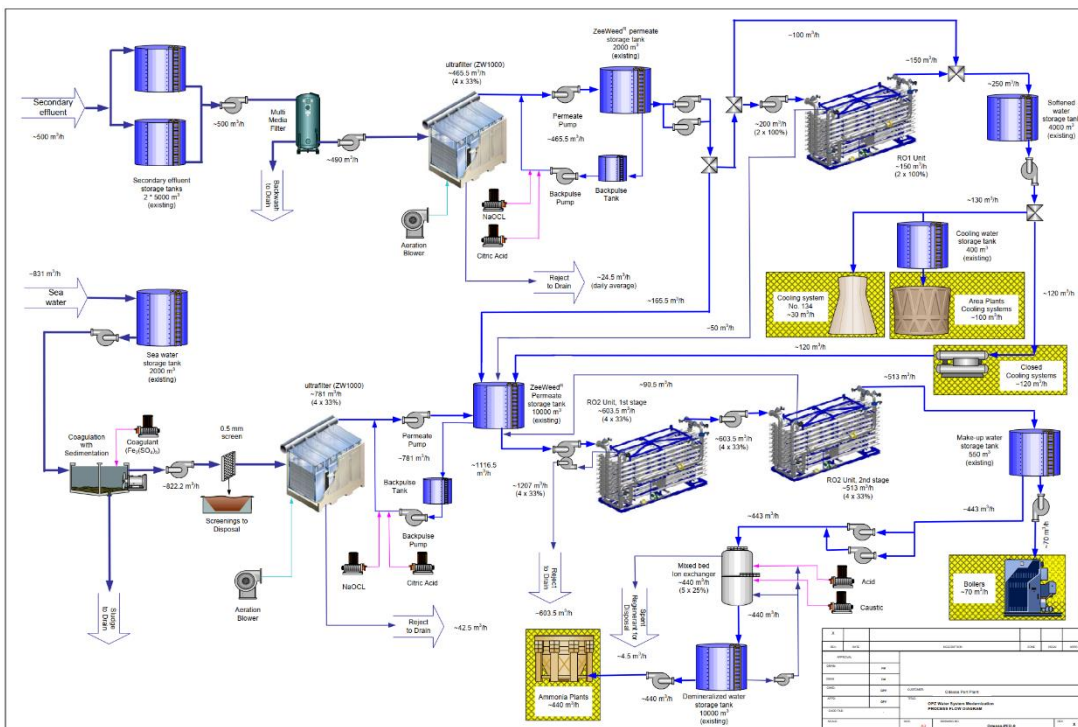


# Water & Waste Water Treatment Plants

## Production of Mineral Fertilizers, Odessa Port Plant, Odessa

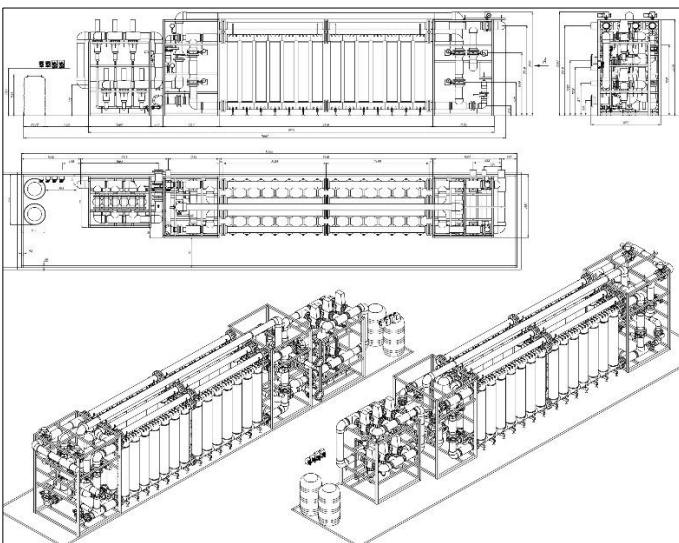
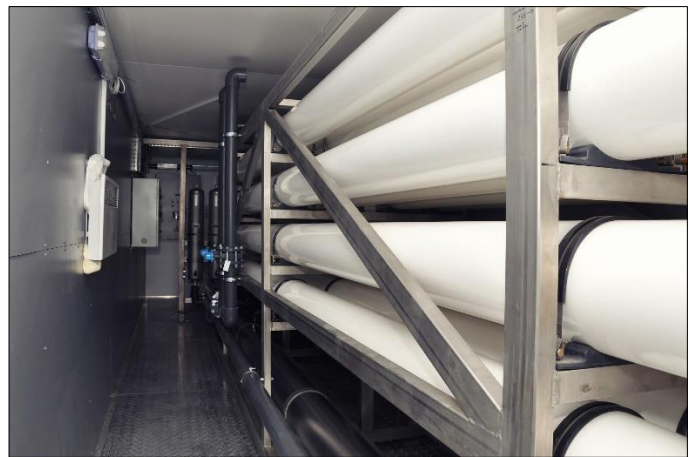
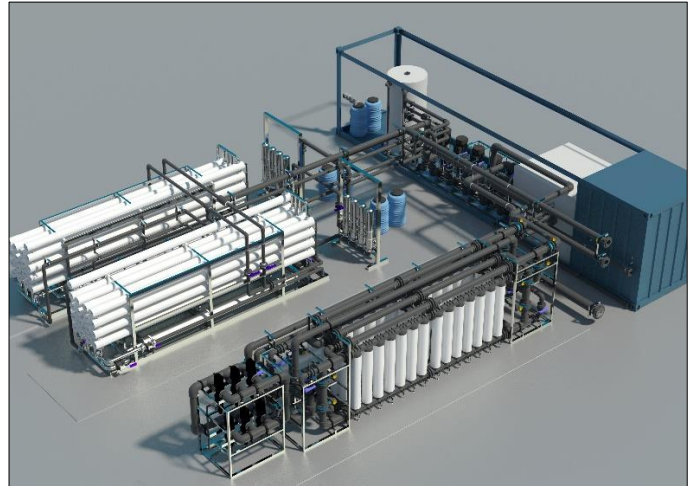
Capacity: 12 000 m<sup>3</sup>/d  
 Feed Source: Municipal Waste Water, Sea Water  
 Type of System: Pretreatment, Softening, Desalination for High Pressure Boilers  
 Process: Ultrafiltration, Two Stage Reverse Osmosis, Electrodeionization (EDI)  
 To Be Commissioned: 2007-2010





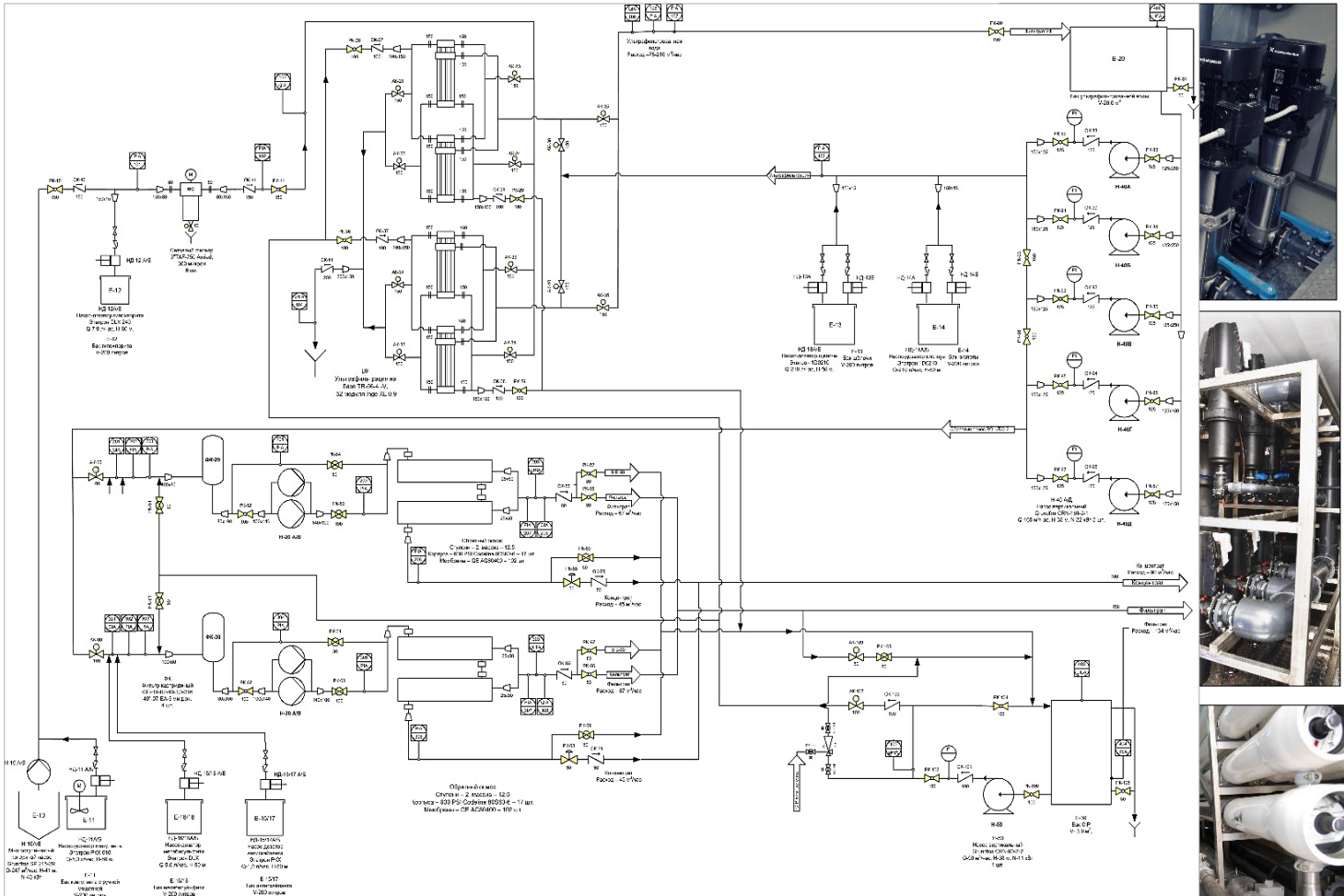
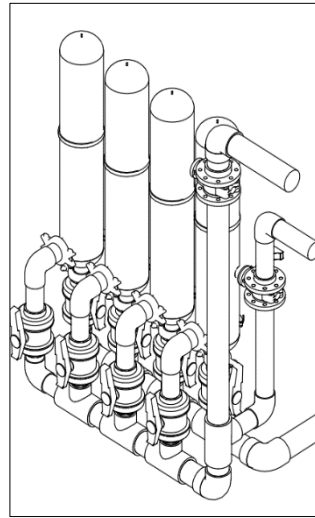
## Soy Plant, Baltic Sea

Capacity: 3 400 m<sup>3</sup>/d  
Feed Source: Sea Water  
Type of System: Desalination of Sea Water for Drink Water Treatment  
Process: Ultrafiltration, Reverse Osmosis  
To Be Commissioned: 2012-2013





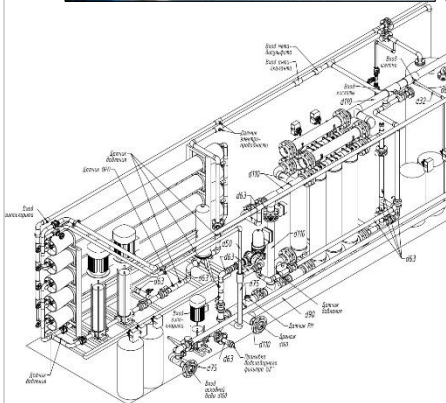
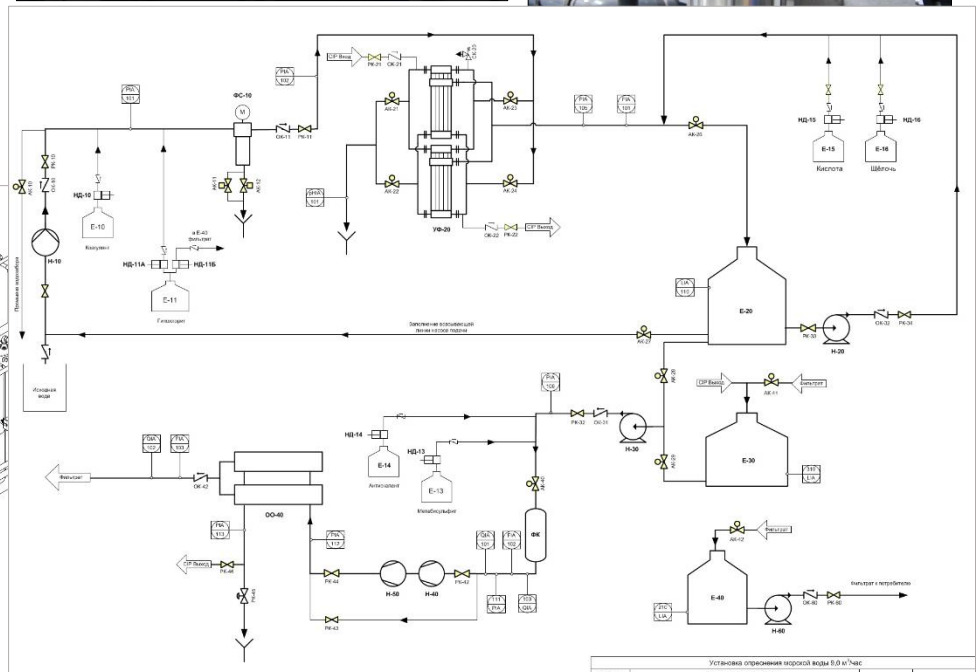
# Water & Waste Water Treatment Plants





## Resort Spa, Black Sea

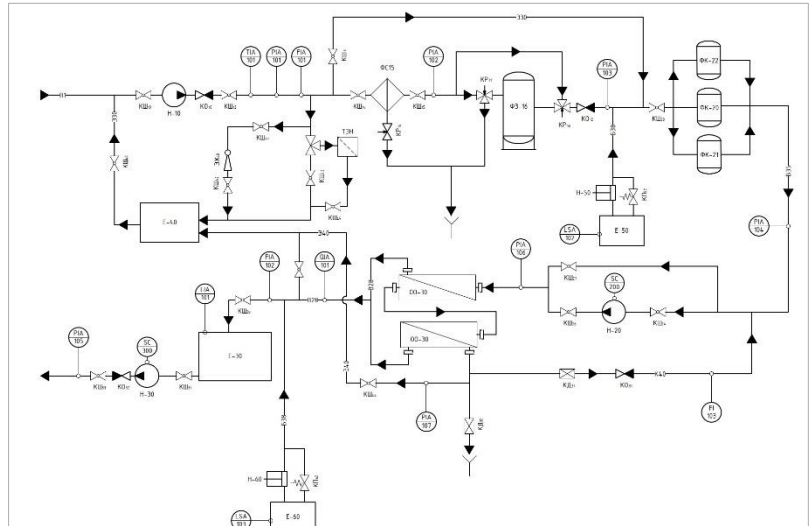
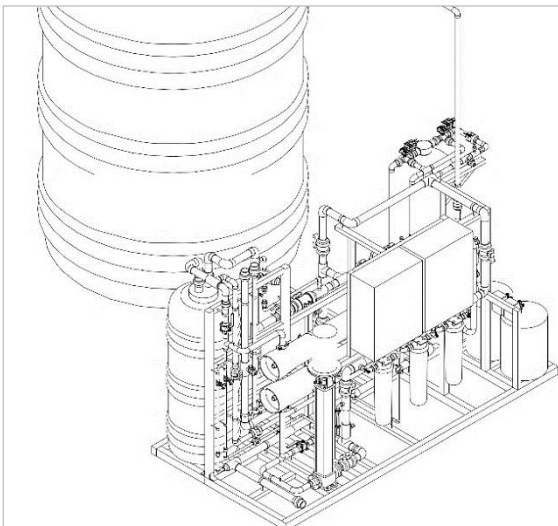
Capacity: 250 m<sup>3</sup>/d  
 Feed Source: Sea Water  
 Type of System: Desalination of Sea Water for Drink Water Treatment  
 Process: Ultrafiltration, Reverse Osmosis  
 To Be Commissioned: 2014





## Plant Fregat, Nikolaev region

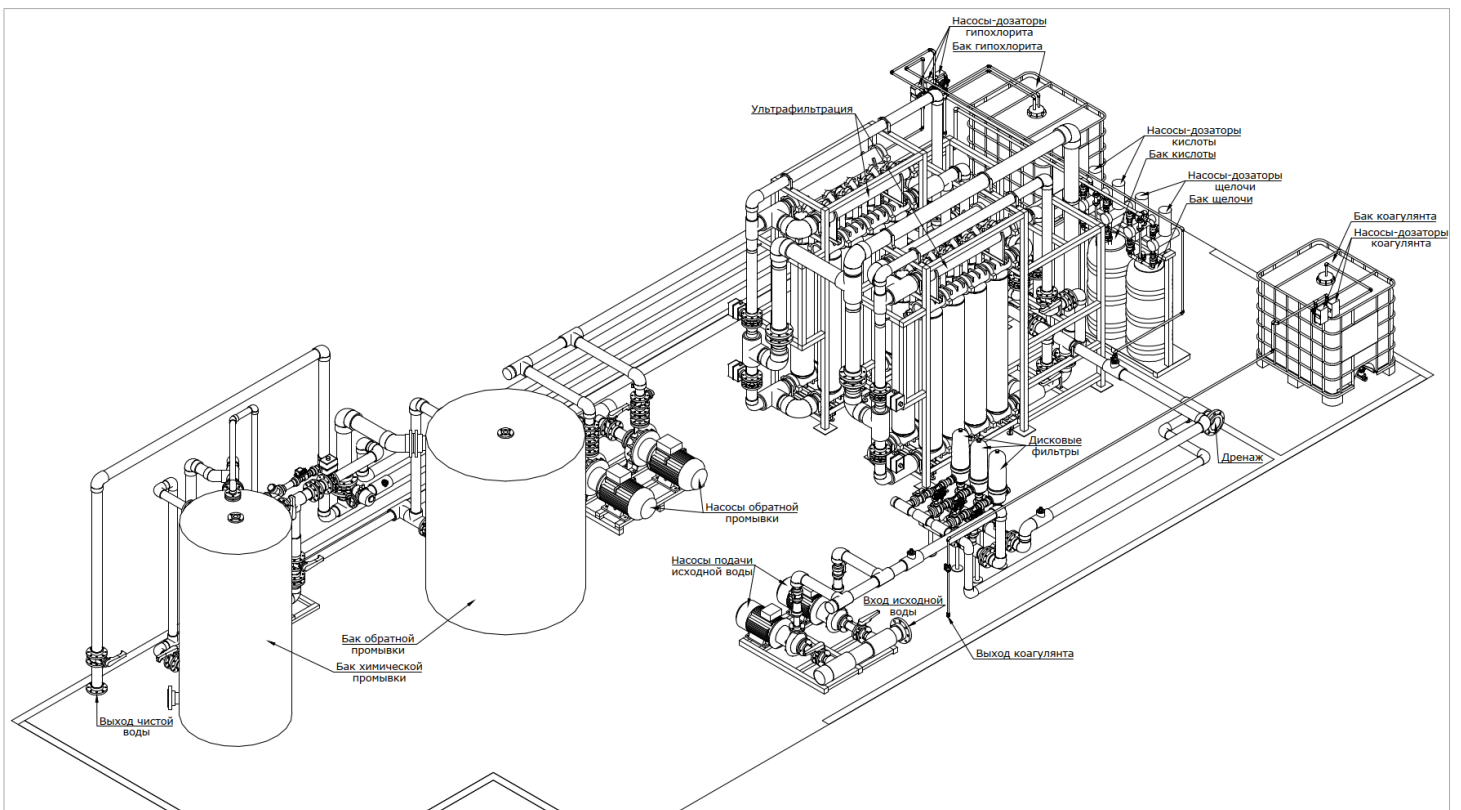
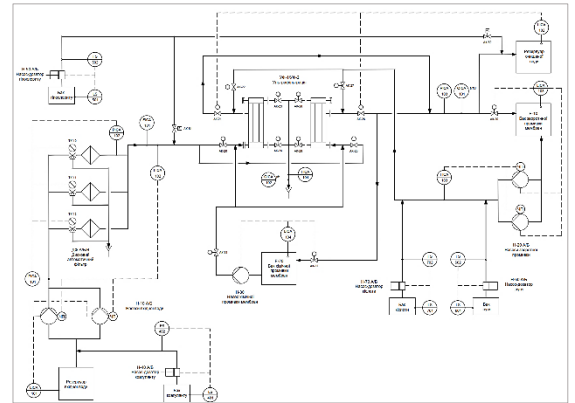
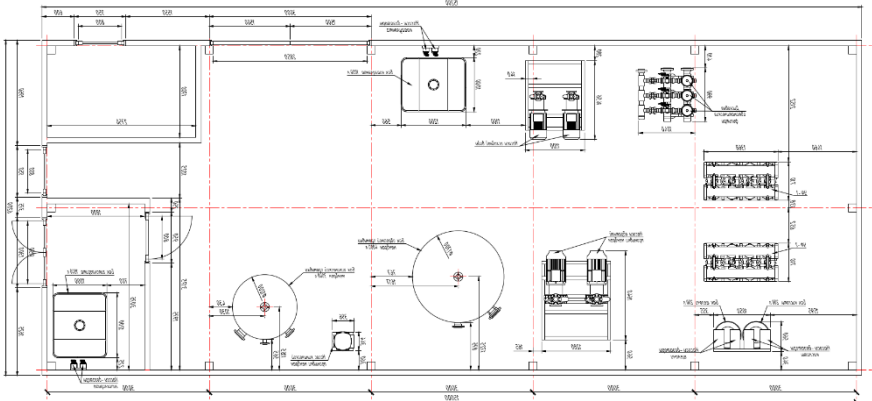
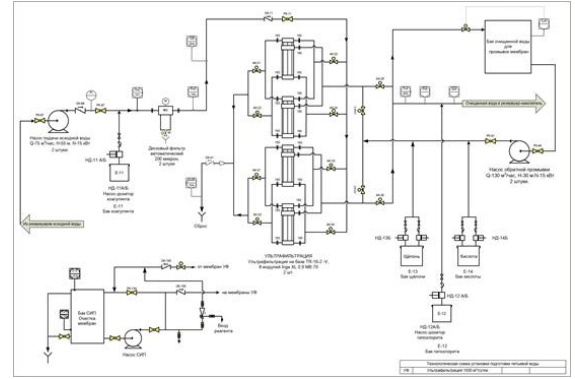
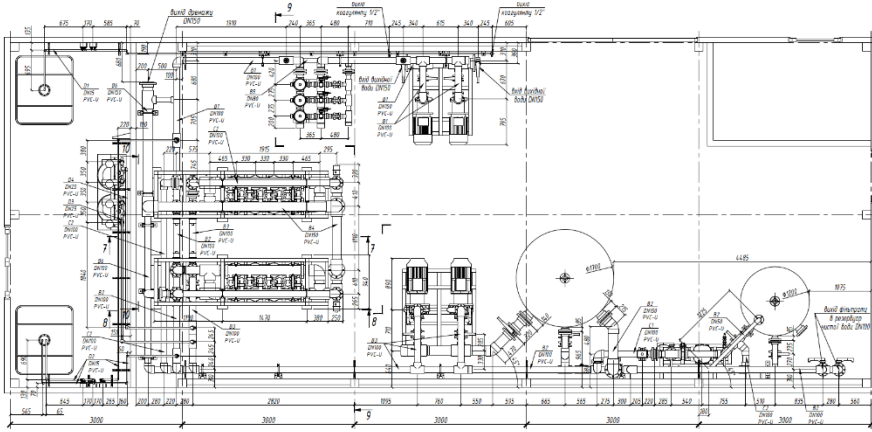
Capacity: 60 m<sup>3</sup>/d  
Feed Source: Well Water, Municipal Water  
Type of System: Softening and Demineralization water for Steam Boiler  
Process: Prefiltration, Active Carbon Filter, Reverse Osmosis  
To Be Commissioned: 2019



# Water & Waste Water Treatment Plants

## Drink Water Treatment, Smolino, Kirovograd region

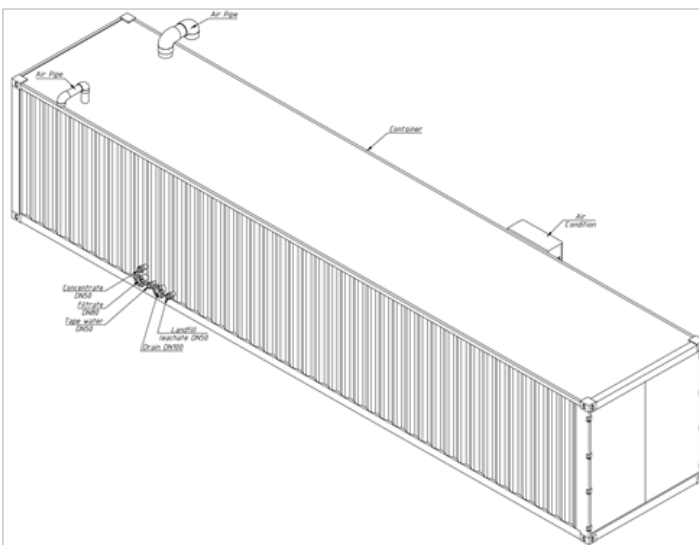
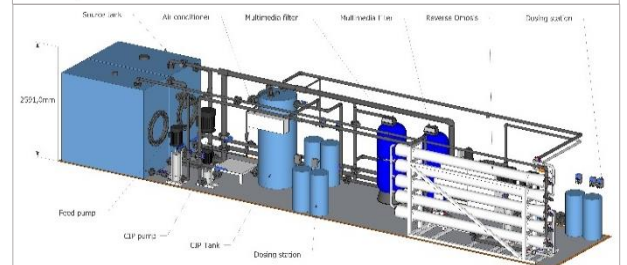
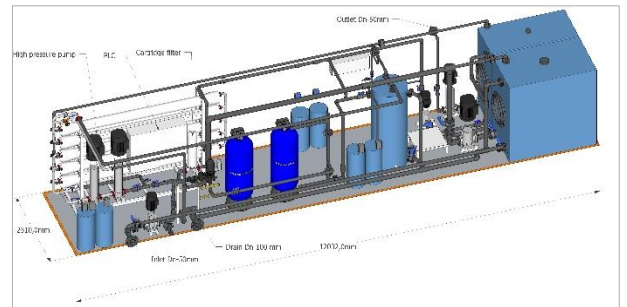
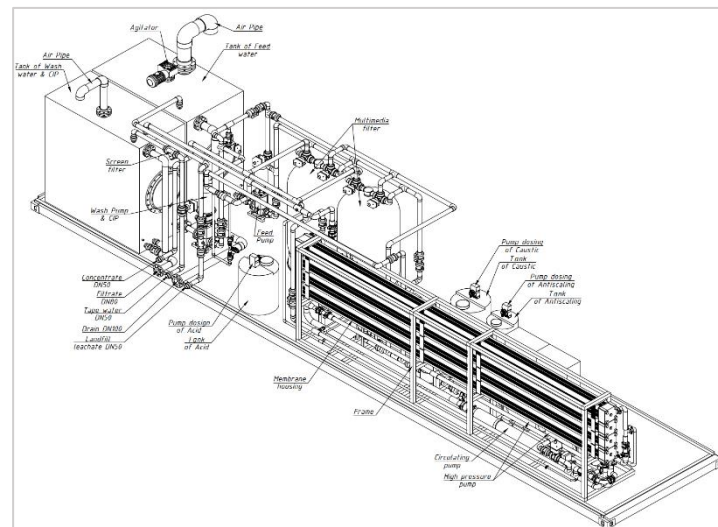
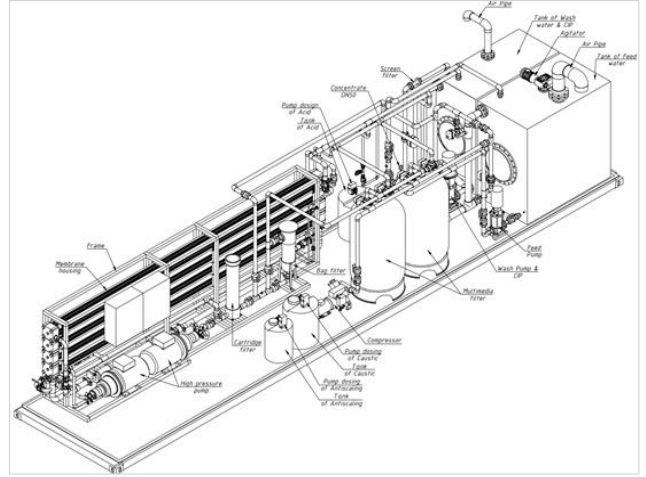
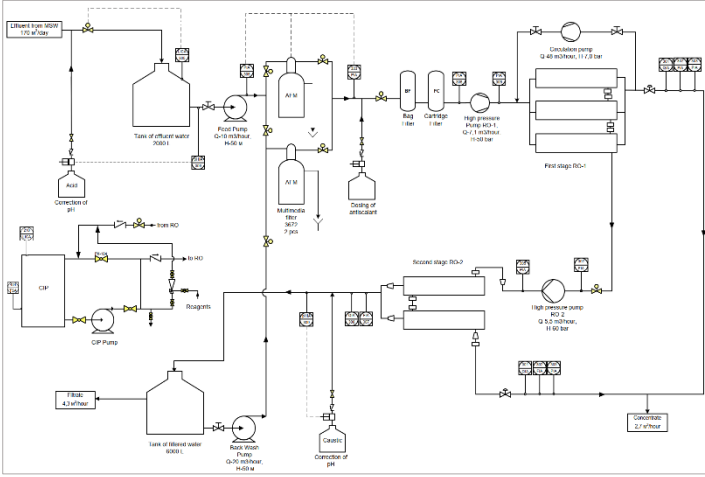
Capacity: 1500 m<sup>3</sup>/d  
 Feed Source: Surface Water  
 Type of System: Pretreatment, Membrane Treatment for Drink water  
 Process: Disc Filters, Ultrafiltration  
 To Be Commissioned: 2019





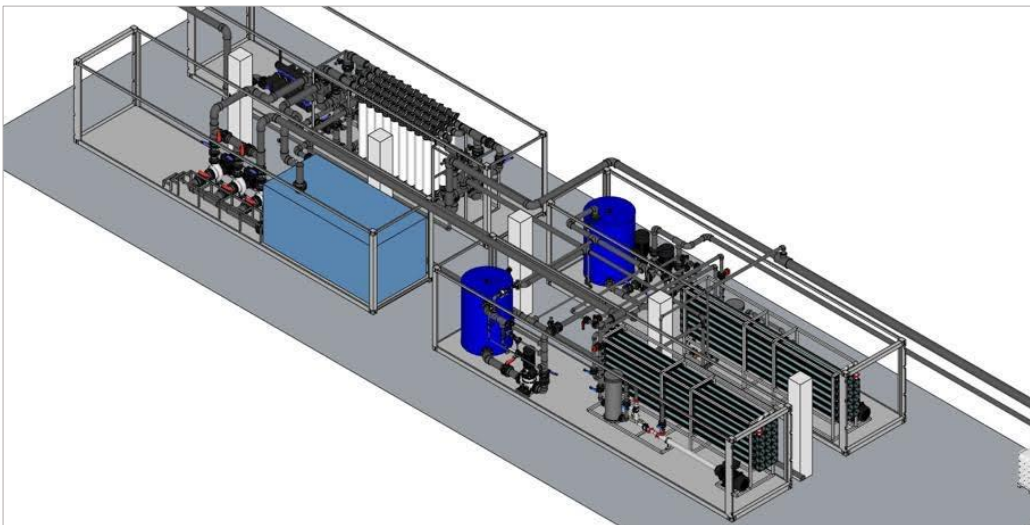
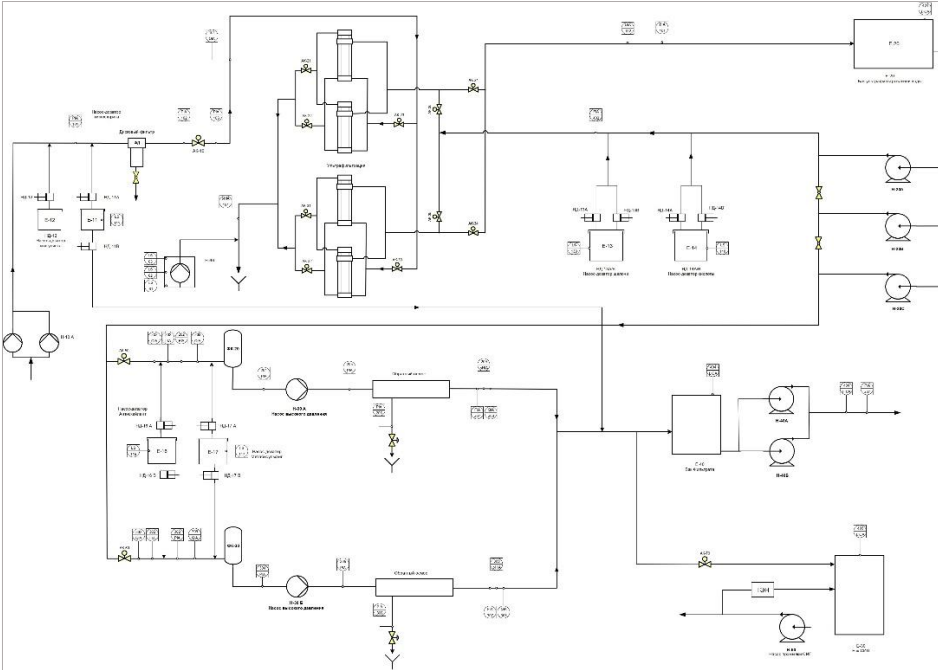
## Leachate Waste Water Treatment, Dergachi, Kharkiv region

Capacity: 170 m<sup>3</sup>/d  
 Feed Source: Leachate Waste Water  
 Type of System: Membranes Treatment of Leachate Waste Water for discharge  
 Process: Multimedia filter, Two Stage Reverse Osmosis  
 To Be Commissioned: 2021



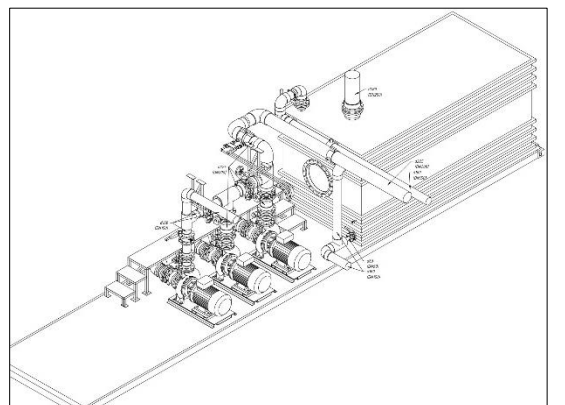
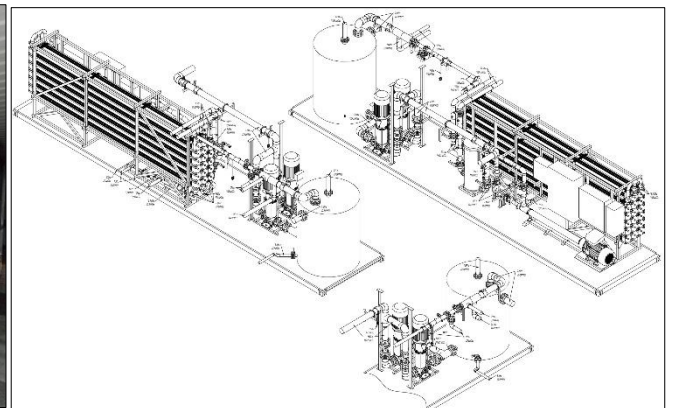
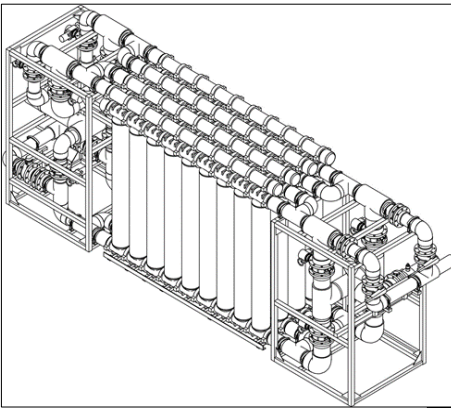
## Desalination for Drink Water Treatment, Black Sea

Capacity: 2400 m<sup>3</sup>/d  
Feed Source: Sea Water  
Type of System: Desalination of Sea Water for Drink Water Treatment  
Process: Ultrafiltration, Reverse Osmosis  
To Be Commissioned: 2020





# Water & Waste Water Treatment Plants



## Water & Waste Water Treatment Plants

Water Treatment Plants		
1	Ukraine	2007 Reverse osmosis .Desalination of sea water for a recreation center. Peninsula Crimea, Cape Tarhankut, Atlesh 12 m <sup>3</sup> /day
2	Ukraine	2008 Reverse osmosis. Desalination of water from the estuary to supply drinking water to the village, Odessa region. Hadzhibey village summer residence 50 m <sup>3</sup> /day
3	Ukraine	2008 Ultrafiltration— design works Preparation of drinking water for the settlement, City Bolgrad, the Odessa region. 4800 m <sup>3</sup> /day
4	Ukraine	2009 Ultrafiltration-Reverse osmosis Desalination of water from Lake Sasyk for drink water treatment. Recreation centers of Katranka, Tatarburansky district, Odessa region 50 m <sup>3</sup> /day
5	Ukraine	2009 Ultrafiltration-Reverse osmosis — Desalination of water from Lake Jansheyskoe for drink water of recreation centers of Rosseyka, Tatarburansky district, Odessa region 50 m <sup>3</sup> /day
6	Russia	2010 Ultrafiltration-Reverse osmosis —design works Purification and Desalination well water, “Raspadskaya” mine, Kuzbass, Russia 28800 m <sup>3</sup> /day
7	Georgia	2010 Reverse osmosis Desalination of water from wells for the poultry factory Tbilisi, 500 m <sup>3</sup> /day
8	Ukraine	2012 Ultrafiltration Lugansk region, Alchevsk. Purification of water from surface water, preparation of water for the production of galvanized sheets. Metals and Polymers. 240 m <sup>3</sup> /day
9	Ukraine	2014 Ultrafiltration-Reverse osmosis design works PJSC "Nikopol'skiy zavod Ferosplavov" Purification of circulating water of the enterprise 10 000 m <sup>3</sup> /day
Waste Water Treatment Plants		
10	Ukraine	2010 Technology, Process Equipment OJSC “Kharkovskiy zhirkombinat” Supply of process equipment for the stage of non-reagent separation of fat. Flotation fat separation of the FSG 15 TWIN series 360 m <sup>3</sup> /day
11	Ukraine	2014 Technology, Process Equipment OJSC “Vinnitskiy maslozhirovoy kombinat” Conducting research on the treatment of industrial of the enterprise, including the water of an oil extraction plant, water after the process of washing railway tanks, water after refining, hydration, the process of splitting of the soaps-tock. Development of a basic technological scheme for physic-chemical treatment of sewage and dehydration of flotation sludge. Designing of treatment facilities. Supply and start-up of treatment facilities 370 m <sup>3</sup> /day.
12	Ukraine	2010 Technology, Process Equipment Uman, Ukraine - Project of reconstruction of biological treatment facilities, productivity 10 000 m <sup>3</sup> /day



13	Ukraine	2010 Technology, Process Equipment Akhtyrka, Ukraine - The project of reconstruction of urban treatment facilities, total capacity of 3500 m <sup>3</sup> /day
14	Ukraine	2011 Process Equipment Zachepilovka, Kharkiv region. - Development of the project of sewage treatment plants of the municipal sewage waters of the village, productivity 1500 m <sup>3</sup> /day
15	Ukraine	2011-2015 Process Equipment Malaya Danilovka, Development of the project of sewage treatment plants of the municipal sewage of the village, the productivity of 2500 m <sup>3</sup> / day. Project adjustment, author supervision.
16	Ukraine	2013, Process Equipment Kolomiya, Ukraine - Supply of process equipment for a mech treatment unit. 5000 m <sup>3</sup> /day
17	Ukraine	2012 Industrial WWTP City Chuguev, «Oleyno-Zhirovoy al'yans» - Supply of equipment for wastewater treatment 100 m <sup>3</sup> /day
18	Ukraine	2012 Industrial WWTP City Stavchany, «Mayola» - Supply of equipment for physic and biological treatment facilities 470 m <sup>3</sup> /day
19	Ukraine	2013 Reconstruction of WWTP Energodar "KP" Teplovodokanal", 50000 m <sup>3</sup> /day Integrated design and reconstruction of treatment facilities
20	Ukraine	2012 Industrial WWTP Kiev "Myronivsky Hleboproduct" 500 m <sup>3</sup> /day — Designing of treatment facilities for physic-chemical cleaning and dehydration of flotation sludge;
21	Ukraine	2014 Industrial WWTP Viasovka TM "Korolevskiy smak" 240 m <sup>3</sup> /day — Construction of industrial treatment plant
22	Ukraine	2015 Dairy Industrial WWTP. Akhtyrka TM "Slavia" 500 m <sup>3</sup> /day Supply and start-up of waste water treatment equipment after a milk processing plant
23	Ukraine	2014 Industrial WWTP Kharkov "Edel'veys" CJSC 100 m <sup>3</sup> /day Supply and start-up of mechanical wastewater treatment of polyethylene bottles processing lines
24	Ukraine	2016 Urban WWTP City Melitopol "Melitopol'skiy MEZ" 500 m <sup>3</sup> /day Design, supply and start of treatment facilities of 500 m <sup>3</sup> /day
25	Ukraine	2016 Urban WWTP Settlement Karavan, Kharkov region. 2500 m <sup>3</sup> /day Design and delivery of equipment. Treatment facilities 2500 m <sup>3</sup> /day